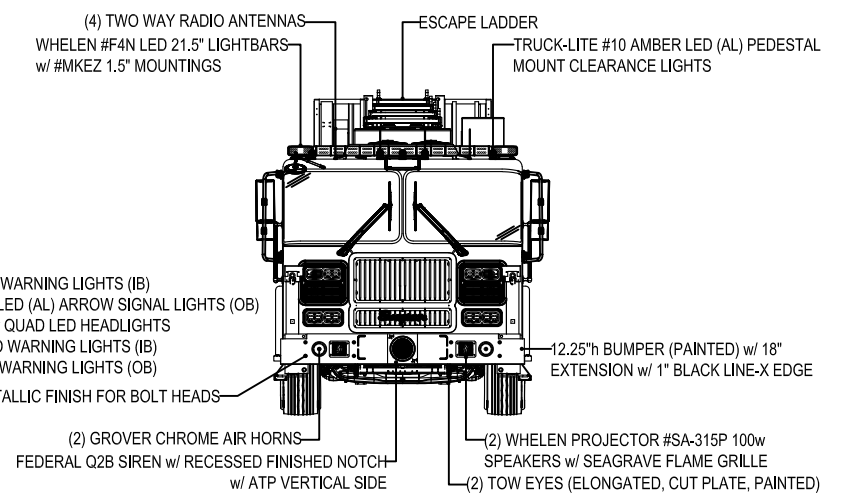
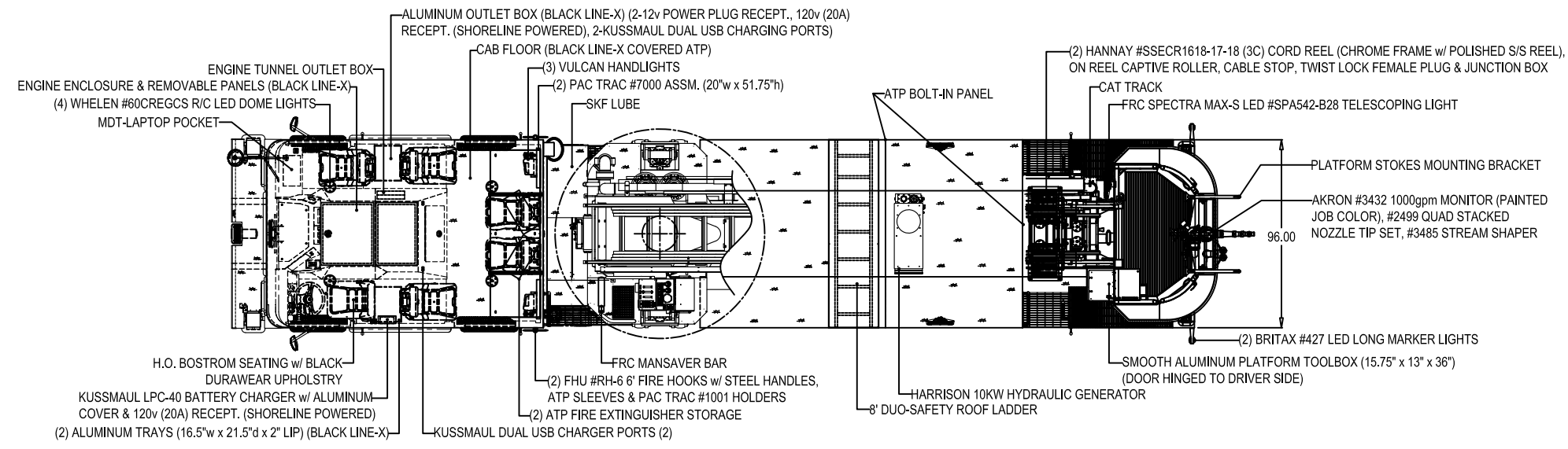


- FRONT LIGHTS:
- WHELEN #M6 RED LED WARNING LIGHTS (IB)
 - WHELEN #M6T AMBER LED (AL) ARROW SIGNAL LIGHTS (OB)
 - JW SPEAKER #8800 12v QUAD LED HEADLIGHTS
 - WHELEN #M6 BLUE LED WARNING LIGHTS (IB)
 - WHELEN #M6 RED LED WARNING LIGHTS (OB)

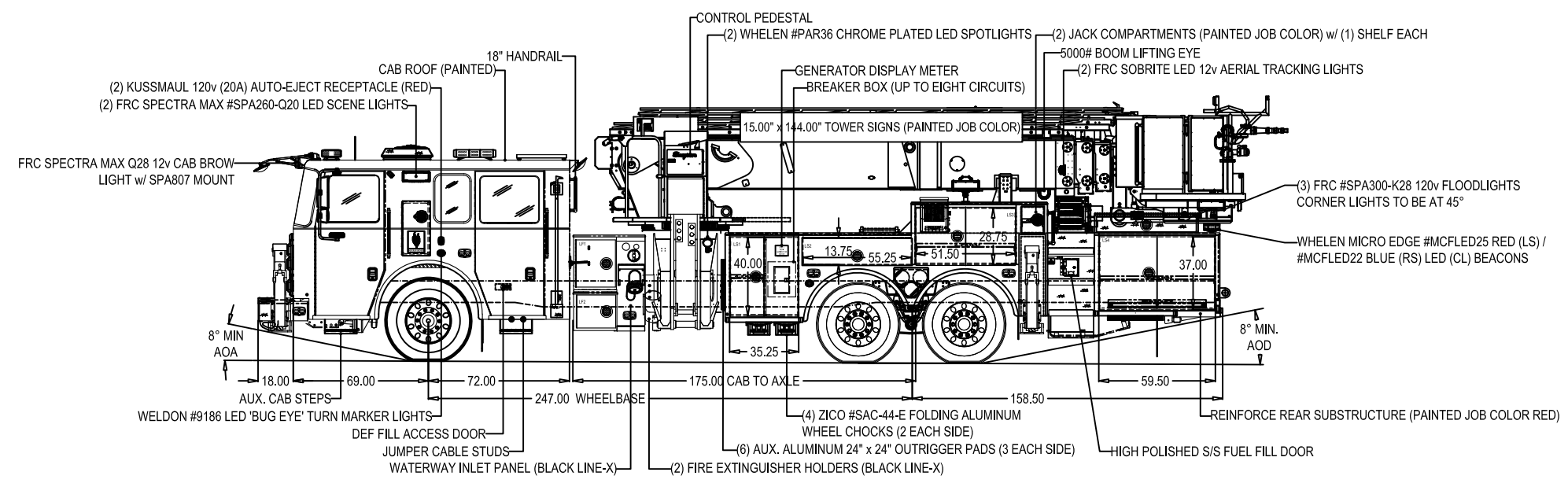


- ALUMINUM MAP BOX (BLACK LINE-X) (4 ANGLED VERTICAL SLOTS) (SHIPPED LOOSE)
- (3) STREAMLIGHT FIRE VULCAN #44451 LED HAND LIGHTS (SHIPPED LOOSE)
- (10) 14" x 21.6" d VERTICAL COMPT. PARTITIONS (SHIPPED LOOSE)
- ZICO #SAC-44-E FOLDING WHEEL CHOCKS (SHIPPED LOOSE) (4) SQCH-44 HOLDERS SHALL BE INSTALLED

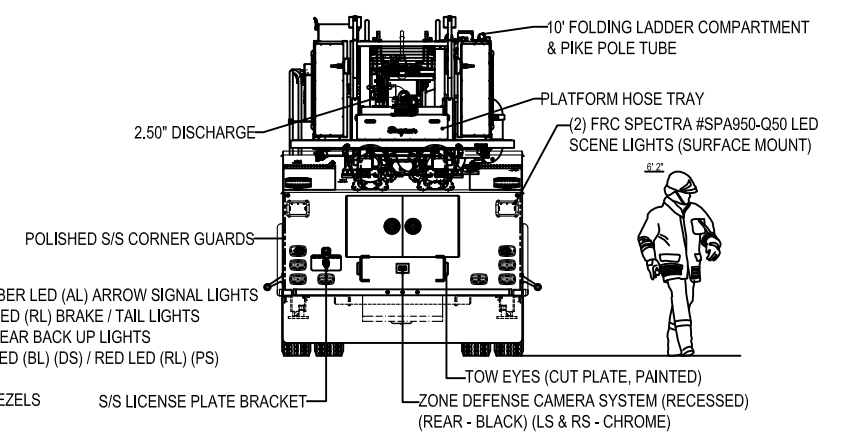


| | | |
|---|--|---------------|
| | FWD SEAGRAVE HOLDINGS, LP / 105 EAST 12TH STREET CLINTONVILLE, WI 54929 | |
| | VILLAGE OF HARRISON FIRE DISTRICT #1 WEST HARRISON, NEW YORK | |
| PREPARED BY: JDG | DATE: 11-19-2020 | MODEL: TV01CT |
| CAB: MARAUDER 141 | FRONT AXLE: DANA D2200 / 22.8K / MERITOR DISC | |
| ENGINE: CUMMINS X12 500HP | REAR AXLE: DANA D/R60-190 / 60K / BENDIX S-CAM | |
| PUMP: NO PUMP | FRONT TIRES: MI / 425 / 65R22.5 / XZY3 | |
| BODY: #3CR12 S/S / 75' AERIALSCOPE II LO/HI | REAR TIRES: MI / 315 / 80R22.5 / X WORKS XDY LDL | |
| TANK: NO TANK | AERIAL: 75' AERIALSCOPE | |

- LADDER STORAGE: (LADDERS ARE DUO-SAFETY BRAND UNLESS OTHERWISE NOTED)
- ONE (1) 35' 2 SECTION LADDER (#1200-A)
 - ONE (1) 28' 2 SECTION LADDER (#1200-A)
 - TWO (2) 24' 2 SECTION LADDER (#1200-A)
 - ONE (1) 20' ROOF LADDER (#875-A) (RS OUTBOARD TORQUE TUBE)
 - ONE (1) 16' ROOF LADDER (#875-A) (LS OUTBOARD TORQUE TUBE)
 - ONE (1) 10' FOLDING LADDER (#585-A)
 - (7) ALUMINUM PIKE POLE TUBES (MILLED FINISH)
 - (5) IN LADDER BAY
 - (2) ACCESSIBLE FROM PLATFORM (1 EACH SIDE OF CAT TRACK)
 - FHU NYF-6 6' PIKE POLE
 - FHU BRH-6 6' PIKE POLE
 - FHU NYF-8 8' PIKE POLE
 - FHU NYF-12 12' PIKE POLE
 - (1) FHU RH-6 6' 'NY' ROOF HOOKS w/ STEEL HANDLES



- REAR LIGHTS:
- WHELEN #M6BT AMBER LED (AL) ARROW SIGNAL LIGHTS
 - WHELEN #M6T RED LED (RL) BRAKE / TAIL LIGHTS
 - WHELEN #M6BUW CLEAR BACK UP LIGHTS
 - WHELEN #M6 BLUE LED (BL) (DS) / RED LED (RL) (PS) WARNING LIGHTS
 - (6) WHELEN #M6FL BEZELS
- S/S LICENSE PLATE BRACKET



ALL DIMENSIONS ARE MEASURED IN INCHES, UNLESS OTHERWISE NOTED.

THIS DRAWING IS FOR REFERENCE OF CONFIGURATION; MINOR DETAILS MAY NOT BE SHOWN. DIMENSIONS SHOWN ARE APPROXIMATE AND SUBJECT TO CHANGE. THE SALES ORDER AND APPROVED SALES ORDER CHANGES WILL PREVAIL, WHERE DISCREPANCIES EXIST.

APPROVAL DRAWING

PE56267

THE INDICATED VEHICLE HEIGHT REPRESENTS A CALCULATED DIMENSION. ACTUAL SHIPPED HEIGHT MAY VARY.

THE HOSE CAPACITY IS A CALCULATED AMOUNT. ACTUAL CAPACITY MAY VARY DEPENDING ON VENDOR OF THE HOSE.

| | | | |
|--|------------|-------------|-------------------|
| INTERNAL SALES REPRESENTATIVE SIGNATURE OF APPROVAL | | | SIG. DATE |
| BRETT ROMBRG | | | 10-15-2020 |
| REV. | DATE | DESCRIPTION | REV. BY |
| 1 | 11-19-2020 | SOU1 | JDG |
| FWD SEAGRAVE HOLDINGS, LP, ITS SUBSIDIARIES, SUCCESSORS AND/OR ASSIGNS (COLLECTIVELY, "FWD SEAGRAVE") OWNS PROPRIETARY RIGHTS IN AND TO THIS DRAWING AND INFORMATION CONTAINED THEREIN. THIS DRAWING IS CONFIDENTIAL AND SHOULD NOT BE USED OR REPRODUCED FOR ANY PURPOSE WITHOUT THE WRITTEN CONSENT OF FWD SEAGRAVE. | | | |